



Creating healthy spaces



Sonoslot®-range

Self-regulating, sound-damping
slotvent combinations

Sonoslot® and Sonoslot® Max



Sonoslot®



Sonoslot® Max



Introduction

Sonoslot® and Sonoslot® Max are self-regulating and sound-absorbing slotvent combinations, consisting of an external slotvent, and internal slotvent and a plastic sleeve with integrated sound-absorbing baffle in-between.

The aluminium external slotvent has a self-regulating flap, which keeps the airflow fairly uniform in strong winds and prevents draughts. Moreover, the external slotvent is perforated and acts as an insect mesh screen.

The noise-damping baffle is standard 70 mm thick and the plastic sleeve is standard 90 mm thick, but both can easily be adapted to suit different window frame depths.

Only the aluminium internal slotvent is different for the Sonoslot® versus the Sonoslot® Max:

- On the one hand, the internal slotvent of the Sonoslot® Max is permanently open and includes extra acoustic damping.
- On the other hand, the small and discrete internal slotvent of the Sonoslot® is manually adjustable and deflects the incoming air upwards, causing an optimal spread of fresh air in the room. Optionally, the Sonoslot® can also be installed in permanently open position, by clicking a special clip in the interior slotvent (standard delivered with the Sonoslot®).

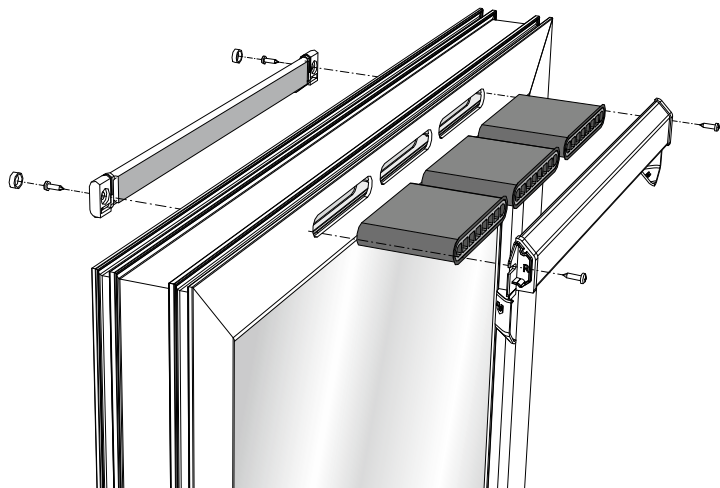


i-Flux® technology:

- Self-regulating (constant airflow)
- Manually adjustable interior flap (controllable airflow)
- Incoming air deflected upwards

Product

- Sound absorption $D_{n,e,w}$ (C , C_{tr}):
 - Sonoslot®: up to 38 (0;0) dB
 - Sonoslot® Max: up to 40 (-1;-2) dB
- Self-regulating: supply of fresh and healthy air without any draughts
- Integrated insect mesh
- Can easily be adapted to suit different window frame depths
- Suitable for aluminium, timber and uPVC window profiles
- Can be used for both new-built and renovation projects
- With plastic sleeves fixed in the window profile to ensure a better guided airflow

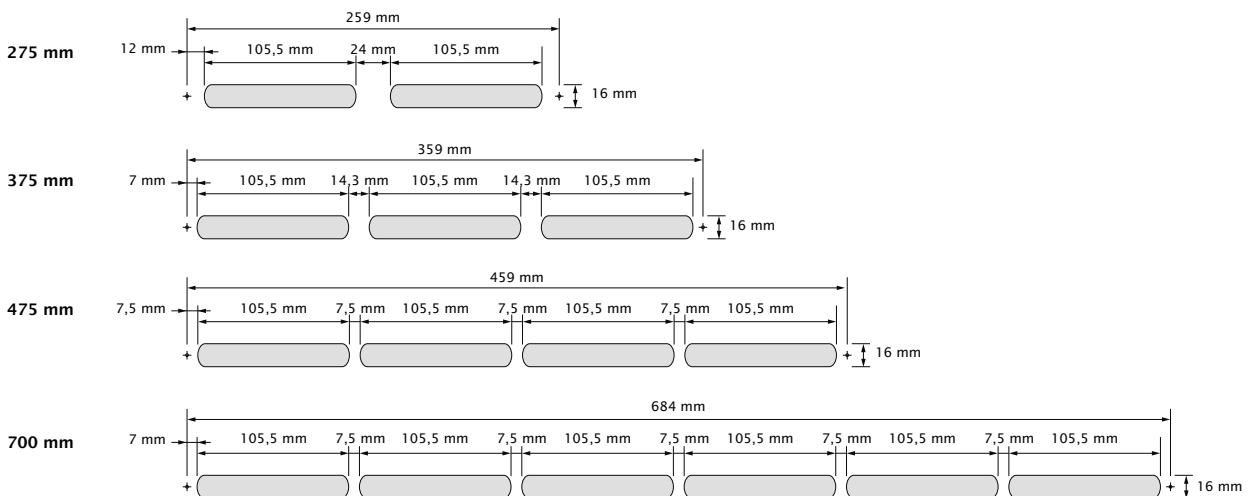


Sonoslot®

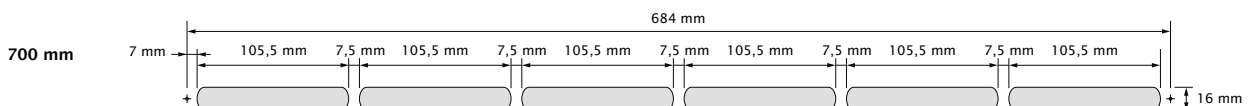
Technical specifications

Sonoslot®					Sonoslot® Max	
Airflow Q	275	375	475	700	Without acoustic foam	With acoustic foam
Equivalent Area (mm ²)	1273	1607	2121	3181	2298	1555
Q at 1 Pa (l/s)	1,0	1,3	1,7	2,5	1,8	1,2
Q at 1 Pa (m ³ /h)	3,6	4,5	6,0	9,0	6,5	4,4
Q at 2 Pa (l/s)	1,4	1,7	2,3	3,4	2,7	1,9
Q at 2 Pa (m ³ /h)	5,0	6,2	8,3	12,4	9,7	6,8
Q at 10 Pa (l/s)	3,2	4,0	5,3	8,0	6,8	5,1
Q at 20 Pa (l/s)	3,3	4,2	5,6	8,4	6,9	7,6
Sound absorption in open position						
D _{n,e,w} (C;C _{tr}) (dB)	38(0;0)	37(0;0)	36(0;0)	34(0;0)	38(-1;-2)	40(-1;-2)
Technical specifications						
Self-regulating	yes					
Controllable	Yes, continuous adjustment				No, permanently open	
U-value	1,4 W/m ² K				n.p.d.	
Air leakage at 50 Pa	<15% in closed position				n.p.d.	
Watertightness in closed position, up to	n.p.d.				n.p.d.	
Insect mesh	yes					
Dimensions						
Material	Aluminium					
Finishing	E6/EV1 / Renson standard WHITE, 9005, 1247				Renson standard WHITE / RAL1247	
Height (mm)	35 (exterior and interior slotvent)				35 (exterior slotvent) / 45 (interior slotvent)	
Length (mm)	275	375	475	700	700	
Slotsize opening (mm)	(105,5 x 16) + 24 + (105,5 x 16)	(105,5 x 16) + 14,3 + (105,5 x 16) + 14,3 + (105,5 x 16)	(105,5 x 16) + 7,5 + (105,5 x 16) + 7,5 + (105,5 x 16) + 7,5 + (105,5 x 16)	(105,5 x 16) + 7,5 + (105,5 x 16) + 7,5 + (105,5 x 16) + 7,5 + (105,5 x 16)	(105,5 x 16) + 7,5 + (105,5 x 16) + 7,5 + (105,5 x 16) + 7,5 + (105,5 x 16) + 7,5 + (105,5 x 16)	
Length of acoustic foam (mm)	2 x 103	3 x 103	4 x 103	6 x 103	-	6 x 103

Sonoslot®



Sonoslot® Max



Insert sleeves from the cold side (= outside of the window profile).



Creating healthy spaces

RENSON®: your partner in ventilation and sun protection

RENSON®, headquartered in Waregem (Belgium), is a trendsetter in Europe in natural ventilation and sun protection.

- **Creating healthy spaces**

From 1909, we've been developing energy efficient solutions assuring a healthy and comfortable indoor climate.

Our remarkable headquarters - built according to the 'Healthy Building Concept' - is a beautiful example portraying our corporate mission.

- **No speed limit on innovation**

A multidisciplinary team of more than 50 R&D employees continually optimize our products and develop new and innovative concepts.

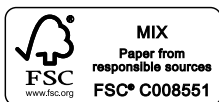
- **Strong in communication**

Contact with the customer is of the utmost importance. A group of 70 in-the-field employees worldwide and a powerful international distribution network are ready to advise you on site. EXIT 5 at Waregem gives you the possibility to experience our products on your own and provides necessary training for installers.

- **A reliable partner in business**

We can guarantee our customers optimal quality and service thanks to our environmentally friendly and modern production sites (with automated powder coating line, anodisation line, uPVC injection molding machinery and mold making shop) covering an area of 95.000 m².

Dealer



RENSON® reserves the right to make technical changes to the products shown.
The latest brochures may be downloaded from www.renson.eu

RENSON® Export Department • Tel. +32 (0)56 62 71 04 • export@renson.net

RENSON® Ventilation NV
IZ 2 Vijverdam • Maalbeekstraat 10 • 8790 Waregem • Belgium
Tel. +32 (0)56 62 71 11 • Fax +32 (0)56 60 28 51
info@renson.be • www.renson.eu

RENSON® Fabrications LTD
Fairfax Units 1-5 • Bircholt Road • Parkwood Industrial Estate • Maidstone • Kent ME15 9SF
Tel. 01622/754123 • Fax 01622/689478
info@rensonuk.net • www.renson.eu



Creating healthy spaces

