

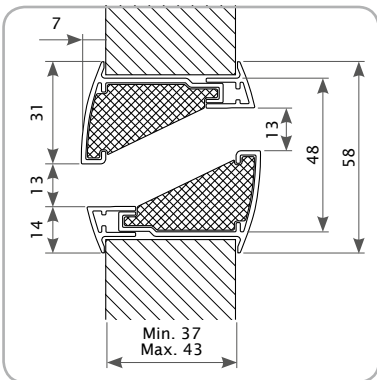


patented technology

# Door grilles

Door grilles for various applications

# Silendo® type 461 AK



## Acoustic door grille for residential use

The RENSON® grille Silendo® 461 AK is an acoustically damping door grille used for transit ventilation. This louvre is mounted at the bottom side of the inner door and therefore eliminates the need for a disturbing slit at the bottom of the door. On top of that, the noise will be reduced from one room to another due to the high efficient acoustic material.

### Material

- Aluminium housing
- Sound absorbing material: synthetic foam
- End caps: in Luran S ASA polymer (colourfast, weatherproof and UV-resistant)
- End caps: available in grey, black or white

### Dimensions

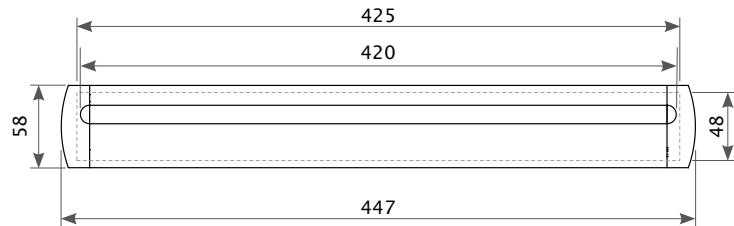
- Width: 425 mm
- Height: 48 mm
- Door thickness: 37 to 43 mm
- Made-to-measure width up to 500mm (on demand)

### Fixing

- Click system

### Typical applications

- Residential
- Offices



### Technical specifications

Silendo® (425 x 48 mm)	
<b>Airflow</b> (EN 13141-1)	
Q at 1 Pa	17,7 m3/h
Q at 2 Pa	25,1 m3/h
Q at 10 Pa	56,1 m3/h
Q at 20 Pa	79,4 m3/h
<b>Comfort</b> (EN ISO 140-10, EN ISO 717-1)	
Sound reduction in open position $D_{new}(C;C_{tr})$	32 (0;-2) dB
<b>Technical data</b>	
Visual free area	27%
Physical free area	27%
<b>Color</b>	
Satin anodized	•
RAL 9010	•
RAL 8019	•

# Invisido® type 469



*Discreet door grille to be placed at the top of the door panel*

The discrete RENSON® grille Invisido® 469 is an invisibly integrated transit grille mounted on top of the inner door. Thanks to the special shape, both noise and light will be blocked from one room to the other.

## Material

- Aluminium housing
- End caps: in Luran S ASA polymer (colourfast, weatherproof and UV-resistant)
- End caps: available in grey, black, cream or white; other colors available on demand

## Dimensions

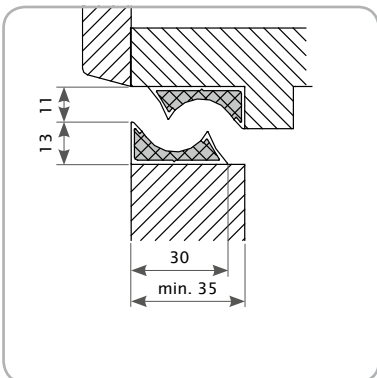
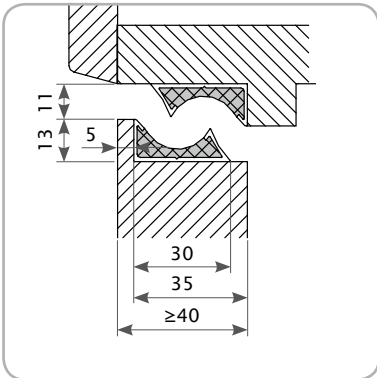
- Maximum width: 2.000 mm
- Standard width: 725 mm (type 730), 825 mm (type 830), 925 mm (type 930)
- Door thickness: 35 mm

## Fixing

- Screws included

## Typical applications

- Residential



## Technical specifications

Invisido® 469 (type 830)				
<b>Airflow</b> (EN 13141-1)				
Q at 1 Pa	17,6 m³/h (4,9 dm³/s)			
Q at 2 Pa	25,3 m³/h			
Q at 10 Pa	58,8 m³/h			
Q at 20 Pa	84,7 m³/h			
<b>Comfort</b> (EN ISO 140-10, EN ISO 717-1)				
Sound reduction $D_{n,e,w}$ (C;C <sub>tr</sub> )	28 (-1;0) dB			
<b>Technical data</b>				
Visual free area	46%			
Physical free area	34%			
<b>Dimension (W) / color</b>	Satin anodized	RAL 9010	RAL 9005	RAL 1015
725 mm	•	•	•	•
825 mm	•	•	•	•
925 mm	•	•	•	•
<i>Other color possible on request</i>				

# Type 461

## Robust aluminium louvre with chevron section blades

The 461 is a robust aluminium RENSON® louvre with V-blades. These blades guarantee no see-through. The grille is equipped with a backframe and can be screwed for easy installation.

Thanks to the robust frame, this grille is the perfect solution for institutions, hospitals, elderly homes, offices, industrial applications, etc.

### Material

- Made from aluminium sections: AlMgSi 0.5 (according to EN 12020-2)
- Opaque grille with backframe and fixing screws
- Finishing: satin anodized/bronze colour (20 micron) or powder coated in any RAL or Syntha Pulvin colour (40 micron)

### Dimensions

- Door thickness: 30 to 54 mm
- Maximum width (in one piece): 800 mm

### Fixing

- Screws included

### Options

- Frame for 54 to 80 mm thickness on request

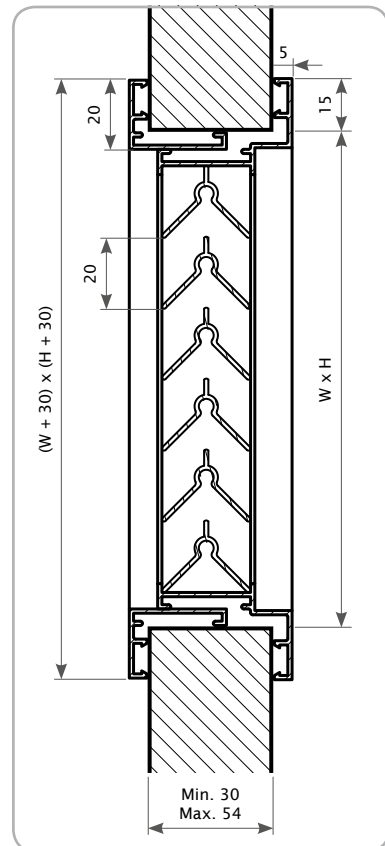
### Typical applications

- Industrial applications
- Public buildings
- External applications



Technical specifications	
	<b>461</b>
Technical data	
Visual free area	93 %
Physical free area	39 %

Standaardmodellen					
Dimensions Width x Height (W) x (H)	Satin anodized	RAL 9010	RAL 8019	Airflow at 2 Pa in m <sup>3</sup> /h	Airflow at 20 Pa in m <sup>3</sup> /h
200 x 100 mm	•			13,6	43,0
400 x 200 mm	•	•	•	72,4	228,9
400 x 300 mm	•			117,6	371,9
500 x 300 mm	•			147,0	464,9
600 x 400 mm	•			244,2	772,2
425 x 76 mm	•	•	•	19,2	60,7



# Type 468AK/2

## Acoustic door grille

The RENSON® acoustic door grille 468 AK/2 is mainly applicable to inner doors of hospitals, schools, changing rooms, sports halls, etc. Due to the labyrinth shape and the integrated acoustic foam, this is the best acoustically damping door louvre in the RENSON® range.

### Material

- Made from aluminium sections: AlMgSi 0.5 (according to EN 12020-2)
- Sound absorbing material: synthetic foam
- Finishing: satin anodized/bronze colour (20 micron) or powder coated in any RAL or Syntha Pulvin colour (40 micron)

### Dimensions

- Minimum dimensions: 200 x 193 mm (W x H)
- Maximum dimensions: 788 x 788 mm (W x H)
- Fitting dimensions: 7 mm more than the grille dimensions
- Height in 85 mm steps (blade pitch)
- Door thickness: from 37.5 to 92 mm

### Fixing

- Screws included

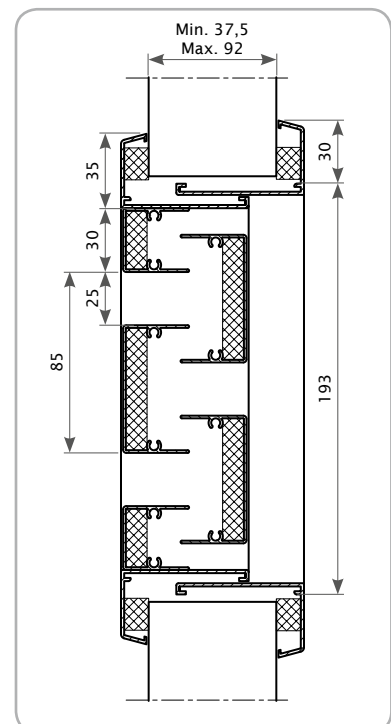
### Available models

- The 468 AK/2 is available in RAL 9910 in the following standard sizes: 292 x 193 mm, 382 x 278 mm, 432 x 363 mm and 452 x 448 mm.
- Other sizes and colours available on request

### Typical applications

- Schools, dressing rooms, garagedoors, central heating system rooms, hospitals

*Remark: for internal use only!*



Technical specifications		
468 AK/2		
Airflow	(EN 13030)	(EN 13030)
K-factor (supply)		86,85
K-factor (discharge)		89,35
C <sub>e</sub> coefficient		0,107
C <sub>d</sub> coefficient		0,106
Q at 2 Pa - grille 292 x 193 mm	25 m <sup>3</sup> /h	30 (-1;-2) dB
Q at 2 Pa - grille 382 x 278 mm	50 m <sup>3</sup> /h	28 (-1;-2) dB
Q at 2 Pa - grille 432 x 363 mm	75 m <sup>3</sup> /h	26 (-1;-2) dB
Q at 2 Pa - grille 452 x 448 mm	100 m <sup>3</sup> /h	25 (-1;-2) dB
Comfort	(EN ISO 140-10, EN ISO 717-1)	
Sound reduction in open position R <sub>w</sub> (C;C <sub>v</sub> )	8 (-1;-2) dB	
Technical data		
Visual free area	29 %	
Physical free area	29 %	
Ip class (louvre with mesh)	IP2XD	

# Incendo® type 464

*Fire-resistant louvre with angled blades, fire-resistance 60'*

The aesthetic RENSON® louvre "Incendo® 464" is a fire extinguishing louvre equipped with V-blades. These V-blades guarantee no see-through. The louvre can be mounted in a wooden door, flexible wall, massive floor, ceiling or general wall. The "Incendo® 464" assures the correct ventilation from one room to another. In case of fire (from 100°C) the blades start to swell and block the airflow.

## Material

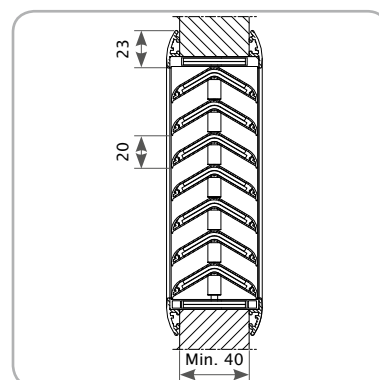
- Blades filled with intumescent material
- Outer frame in Polystyrene
- Available in RAL 7024 (anthracite grey), RAL 9016 (traffic white) en RAL 9022 (pearl light grey)

## Dimensions

- Built-in depth: min. 40 mm
- Blade depth: 55 mm
- Blade pitch: 20 mm
- Maximum dimension: 800 x 400 mm (W x H)
- Minimum dimensions: 100 x 100 mm (W x H)
- 464/1: with frame, 464/2: with frame and adjustable counterframe

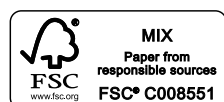
## Typical applications

- Aesthetic finish, no visible vertical posts
- Tested according to EN1634-1, EN1364-1 and EN1364-2
- Fire resistance EI 60 (Integrity and thermal insulation for 1 hour) according to EN13501-2
- Suitable for installation in a wooden door panel, flexible wall, massive wall, floor or ceiling.
- No visual see through
- Avoid contact with water, for indoor use only



Technical specifications	
	Incendo® 464
Airflow (EN 13030)	
K-factor (supply)	10,27
K-factor (discharge)	10,27
C <sub>e</sub> coefficient	0,312
C <sub>d</sub> coefficient	0,312
Technical data	
Visual free area	61 %
Physical free area	51 %
Ip class	IP2XD
Fire resistance (EN 13501-2)	
Massive (concrete) wall (100 mm)	EI 60/ EW 90 (ve i<->o)
Massive (concrete) floor (100 mm)	EI 60 (ho i<->o)
Flexible wall (metal stud gypsum plasterboard 100 mm)	EI 60 (ve i<->o)
(wooden) doorpanel (50 mm)	EI 60 / EW 60 (ve i<->o)
(wooden) doorpanel (40 mm)	EI 30 / EW 30 (ve i<->o)

Dealer



RENSON® reserves the right to make technical changes to the products shown. The most recent versions of our brochures can be downloaded from [www.renson.eu](http://www.renson.eu)



RENSON® Fabrications LTD • Fairfax Unit 1-5 • Bircholt Road  
Parkwood Industrial Estate • Maidstone • Kent ME15 9SF • Tel. 01622/754123 • Fax 01622/689478 •  
Fax 01622/689479 • [info@rensonuk.net](mailto:info@rensonuk.net) • [www.renson.eu](http://www.renson.eu)

RENSON® Contact - Export Dept.: Tel. 0032 56 62 71 04 • [export@renson.net](mailto:export@renson.net)

RENSON® Ventilation • IZ 2 Vijverdam • Maalbeekstraat 10 • 8790 Waregem • Belgium  
Tel. +32 (0)56 62 71 11 • Fax +32 (0)56 60 28 51 • [info@renson.be](mailto:info@renson.be) • [www.renson.eu](http://www.renson.eu)

