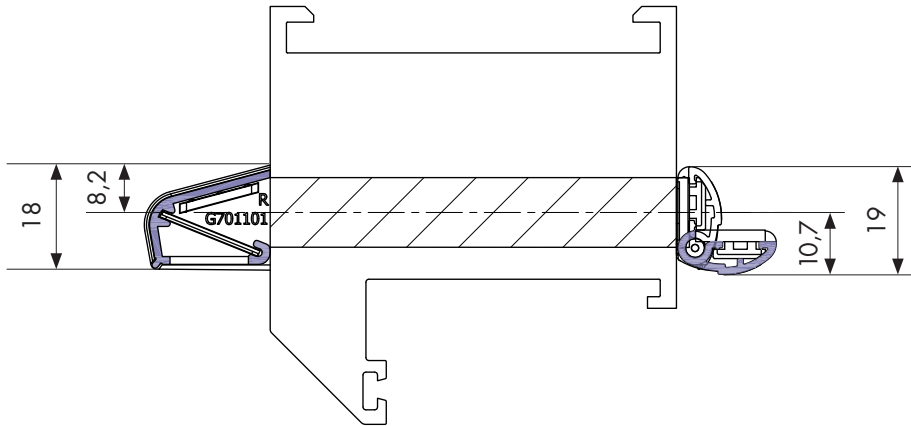


SlimLine Series



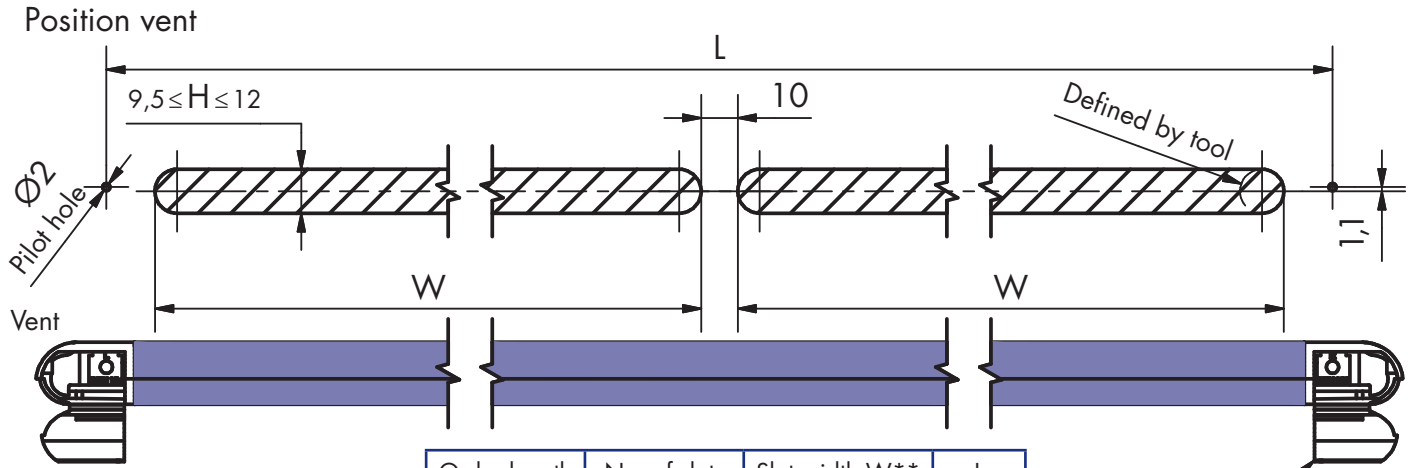
Order length	No. of slots	Slot height H*	Slot width W**	Bridge
250	1	10/11/12 mm	200 mm	-
460	2	10/11/12 mm	200 mm	10 mm

* Tolerances slot height: +0/-0.5

** Tolerances slot width: +0/-1

- ① Mill the routing as described.
- ② Open the plastic flaps and mount the vent in closed position.
- ③ Open the plastic flaps and mount the canopy.
- ④ Drill pilot holes and mount with included screws.
- ⑤ Close all 4 plastic flaps.
- ⑥ Ready to use: open the vent!

If there are any questions regarding the fitting of this vent, please contact your local distributor.



Order length	No. of slots	Slot width W**	L
250	1	200 mm	227
460	2	200 mm	437

Position canopy

