

# ALGARVE® CLASSIC LINE

## PRODUCT INFORMATION



# TABLE OF CONTENTS

<b>Description</b> .....	<b>3</b>
<b>Applicability</b> .....	<b>4</b>
<b>Technical details</b> .....	<b>5</b>
Standard configuration .....	5
Terms and Conditions .....	5
<b>Other tools</b> .....	<b>6</b>





## DESCRIPTION

**A cornice finish lends the Algarve 'Classic Line' a stunning classic appearance. This patio cover can be mounted to the façade or used as a free-standing element, making it the ideal solution for a rustic or classic architectural style.**

- Free-standing sides finished with decorative cornices
- Powder coated in the same colour as the frame and columns

# APPLICABILITY

Camargue	-
Camargue Skye	-
Algarve	✓
Algarve Canvas	✓
Aero	-
Aero Canvas	-
Aero Skye	-
Lapure	-
Back order	-



# TECHNICAL DETAILS

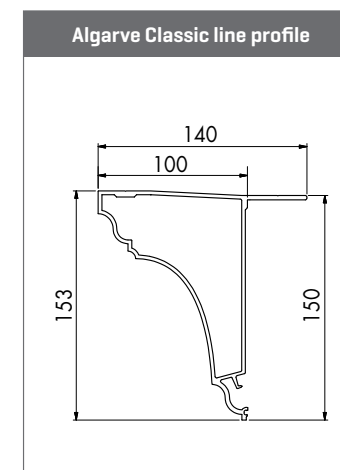
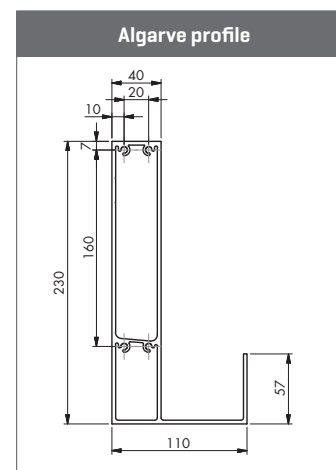
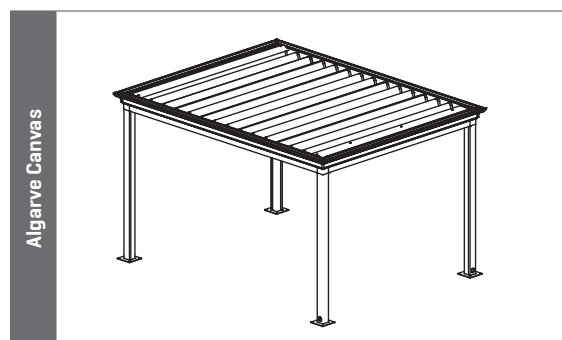
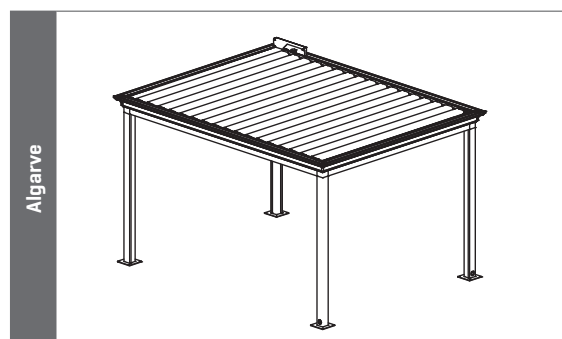
## Standard configuration

### Profiles

Aluminium, powder coated the same colour as the cover

### Terms and Conditions

- Only possible up to pivot lengths of 6055 mm



# OTHER TOOLS

Want to find out more? Visit the Professional Portal on our website ([www.renson.eu](http://www.renson.eu)) to access the following tools.

- Technical drawings
- Training documents
- Installation manual
- User manual
- [Digital photo book & social media](#)
- ...

