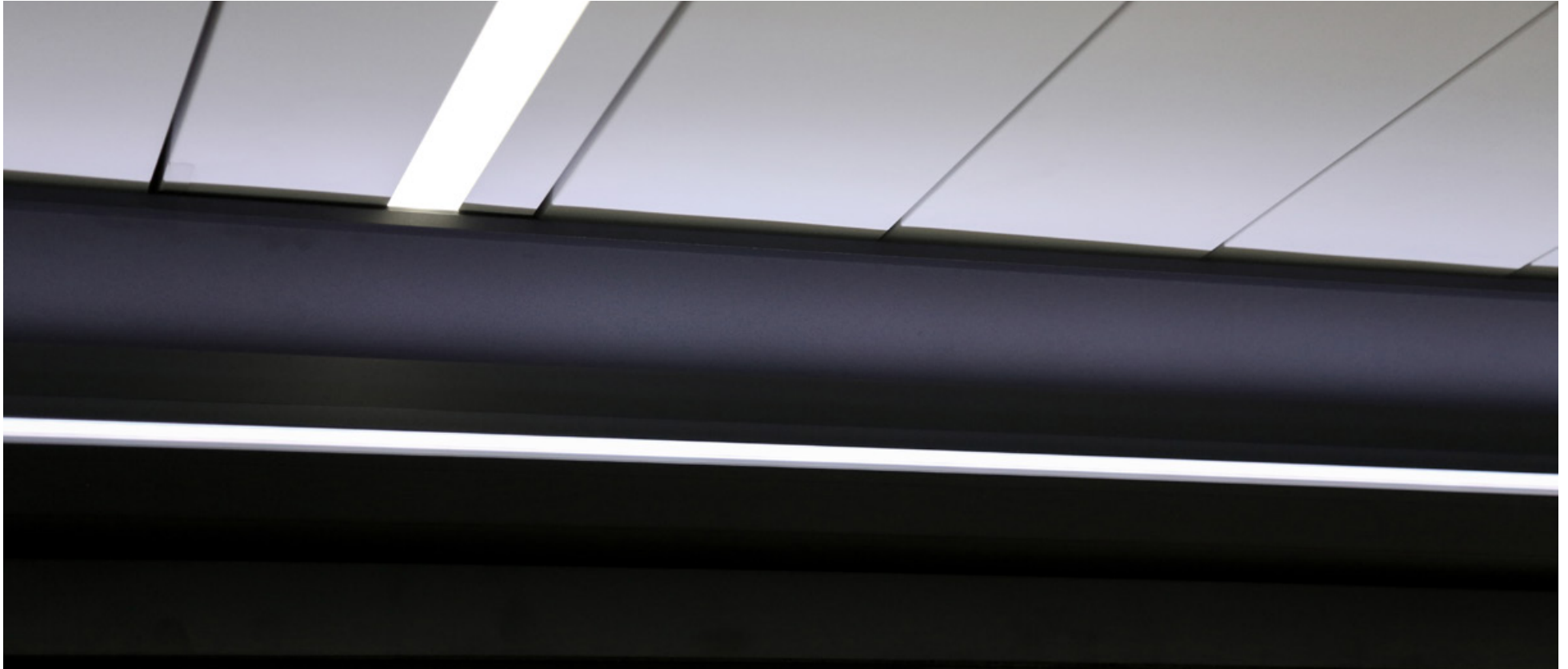


# PROTECTO®

## PRODUCT INFORMATION



# TABLE OF CONTENTS

<b>Description</b> .....	<b>3</b>
<b>Applicability</b> .....	<b>4</b>
<b>Benefits</b> .....	<b>4</b>
<b>Technical details</b> .....	<b>5</b>
Standard configuration .....	5
<b>Certificates &amp; testing</b> .....	<b>6</b>
<b>Other tools</b> .....	<b>7</b>





## DESCRIPTION

**Optional protective profile between the blades and gutter. This profile offers protection from wind, drizzle and snow, that can enter the patio cover between the blades and the frame. When opening and closing the blades, the aluminum protective profile automatically maintains contact with the blades.**

# APPLICABILITY

Camargue	✓
Camargue Skye	-
Algarve	✓
Algarve Canvas	-
Aero	✓
Aero Canvas	-
Aero Skye	-
Lapure	-

Back order*	✓
-------------	---

\*Back orders possible for Camargue from 2015 and for Algarve/Aero from 2018

# BENEFITS

- Maintains continuous contact with the blades thanks to a concealed hinge system
- Powder coated in the same colour as the frame and columns
- Back orders possible for covers that have already been installed

# TECHNICAL DETAILS

## Features

Max. pivot

244"

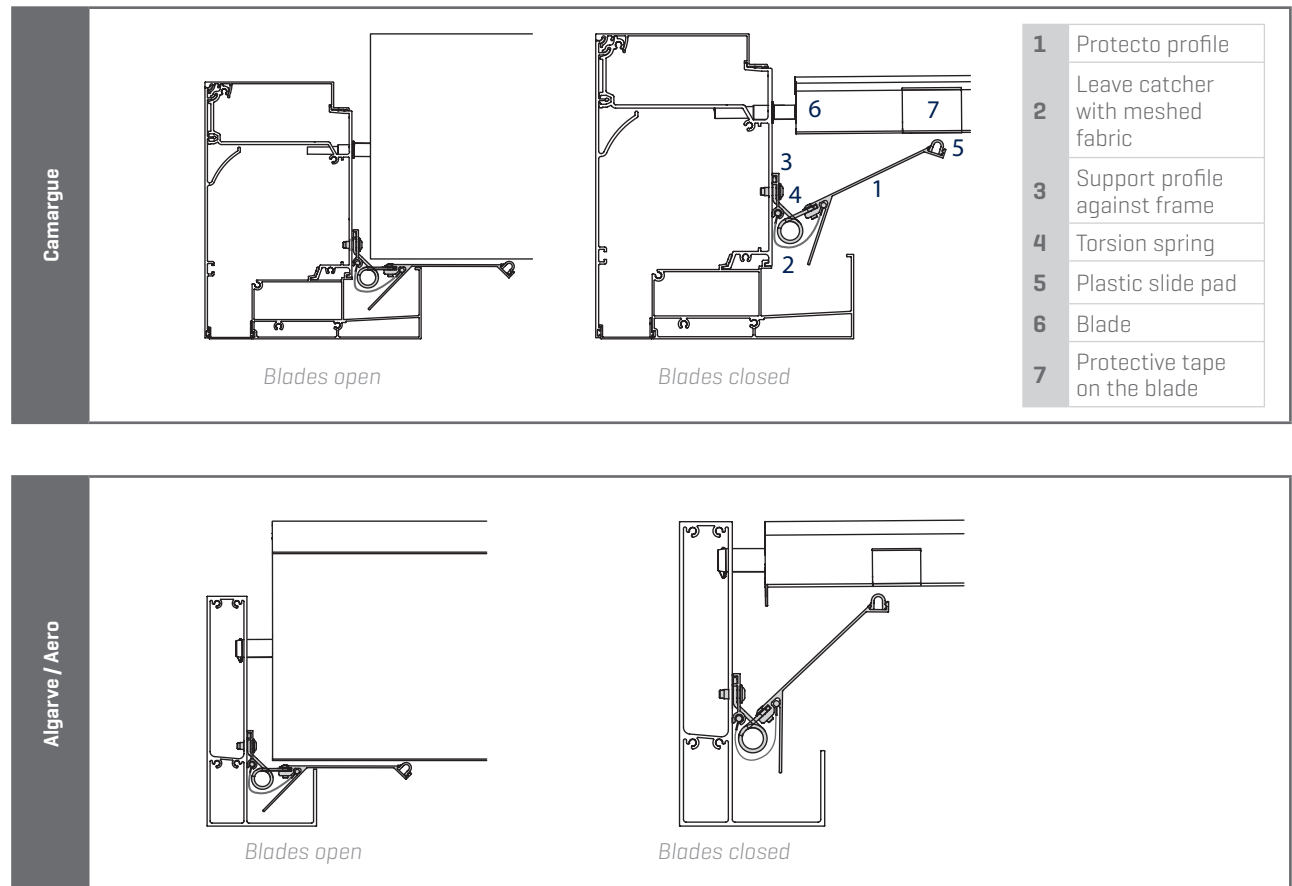
Quantity

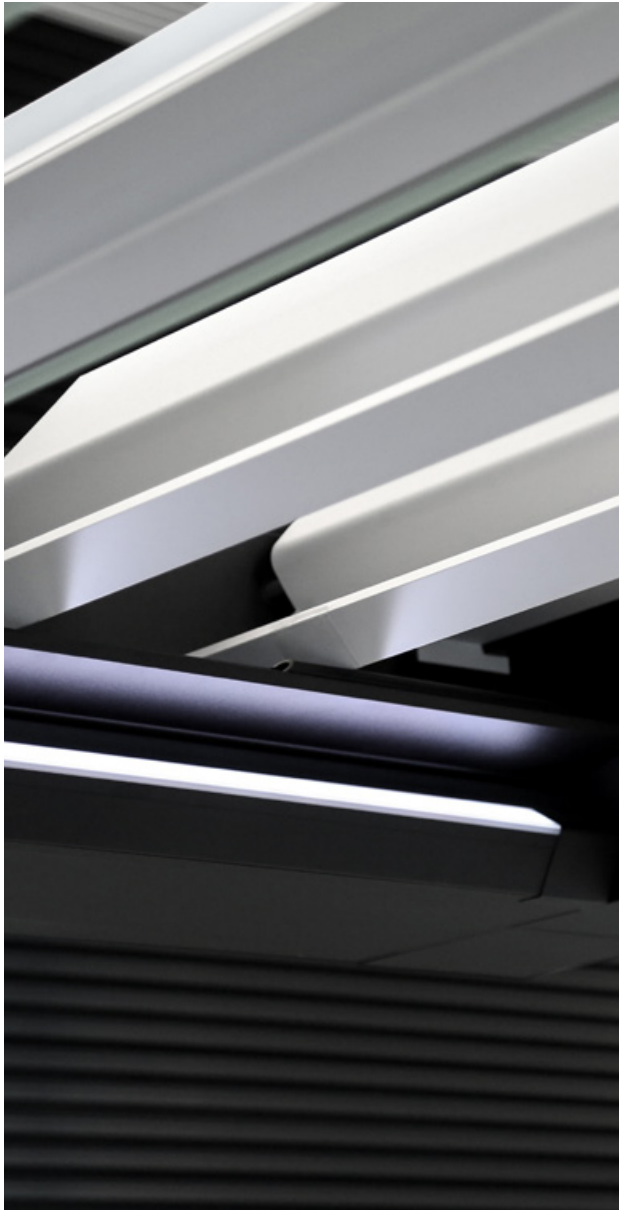
1 side or both pivot sides

## Operating methods

As per bladed roof operating method

## Standard configuration





### Terms and Conditions

- Cannot be combined with Beam Heat & Sound on the pivot side
- When reordered in combination with Beam Heat & Sound on span side, the Beam angle is adjustable between 33° and 55° [instead of 20° and 55°].

## CERTIFICATES & TESTING

- Declaration of endurance cycles

# OTHER TOOLS

Want to find out more? Visit the Professional Portal on our website ([www.renson.eu](http://www.renson.eu)) to access the following tools.

- Technical drawings
- Training documents
- Installation manual
- User manual
- [Digital photo book & social media](#)
- ...

