

03/22

PROTECTO®

PRODUCT INFORMATION

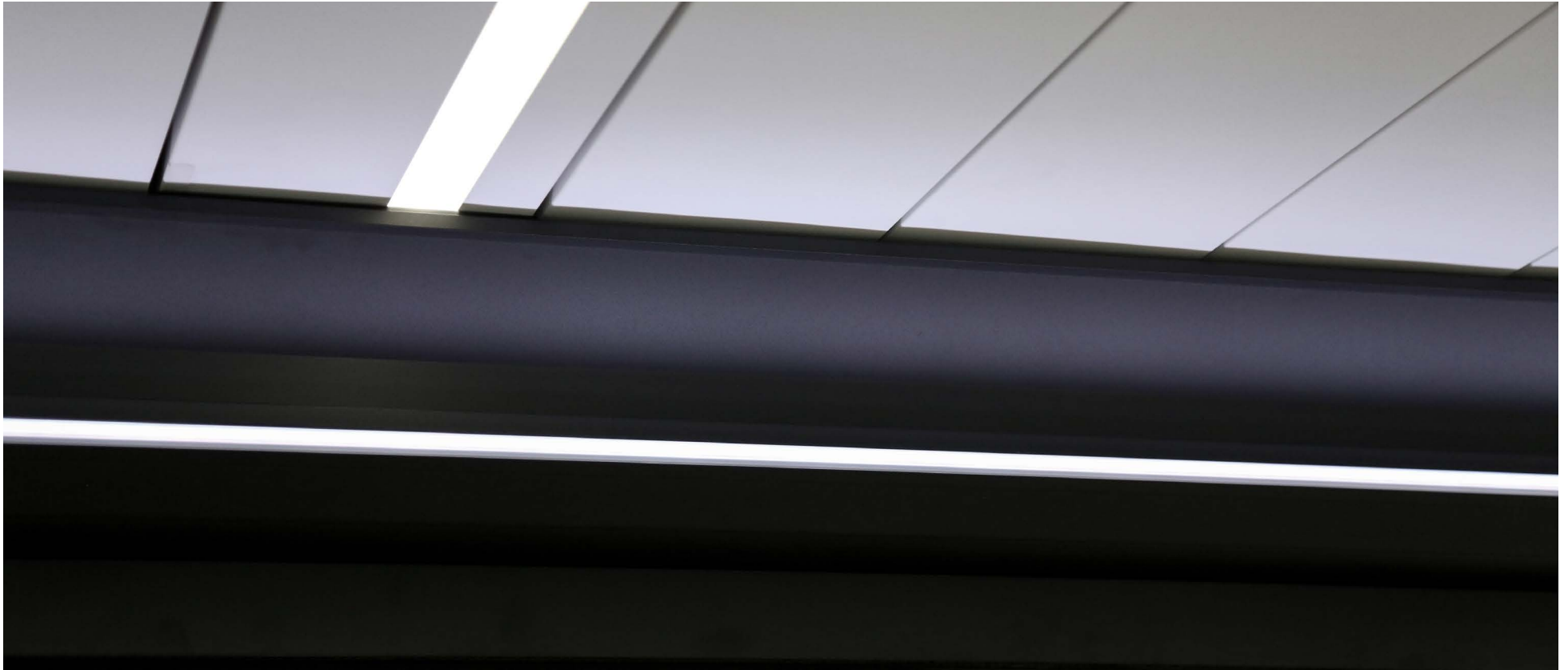
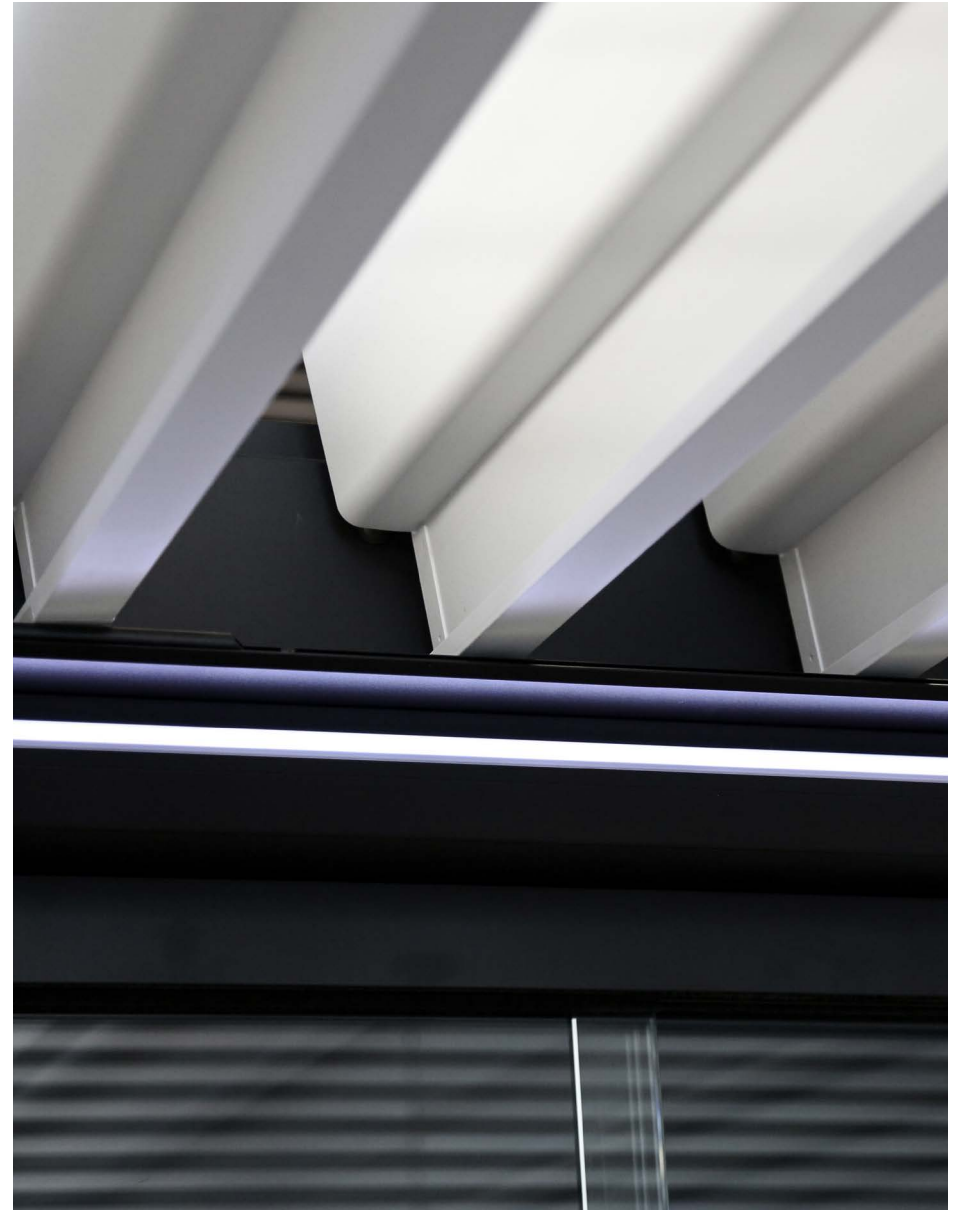


TABLE OF CONTENTS

Description	3
Applicability	4
Benefits	4
Technical details	5
Standard configuration	5
Certificates & testing	6
Other tools	7





DESCRIPTION

Optional protective profile between the blades and gutter. This profile offers protection from wind, drizzle and snow, that can enter the patio cover between the blades and the frame. When opening and closing the blades, the aluminium protective profile automatically maintains contact with the blades.

APPLICABILITY

Camargue	✓
Camargue Skye	-
Algarve	✓
Algarve Canvas	-
Aero	✓
Aero Canvas	-
Aero Skye	-
Lapure	-

Back order*	✓
-------------	---

*Back orders possible for Camargue from 2015 and for Algarve/Aero from 2018

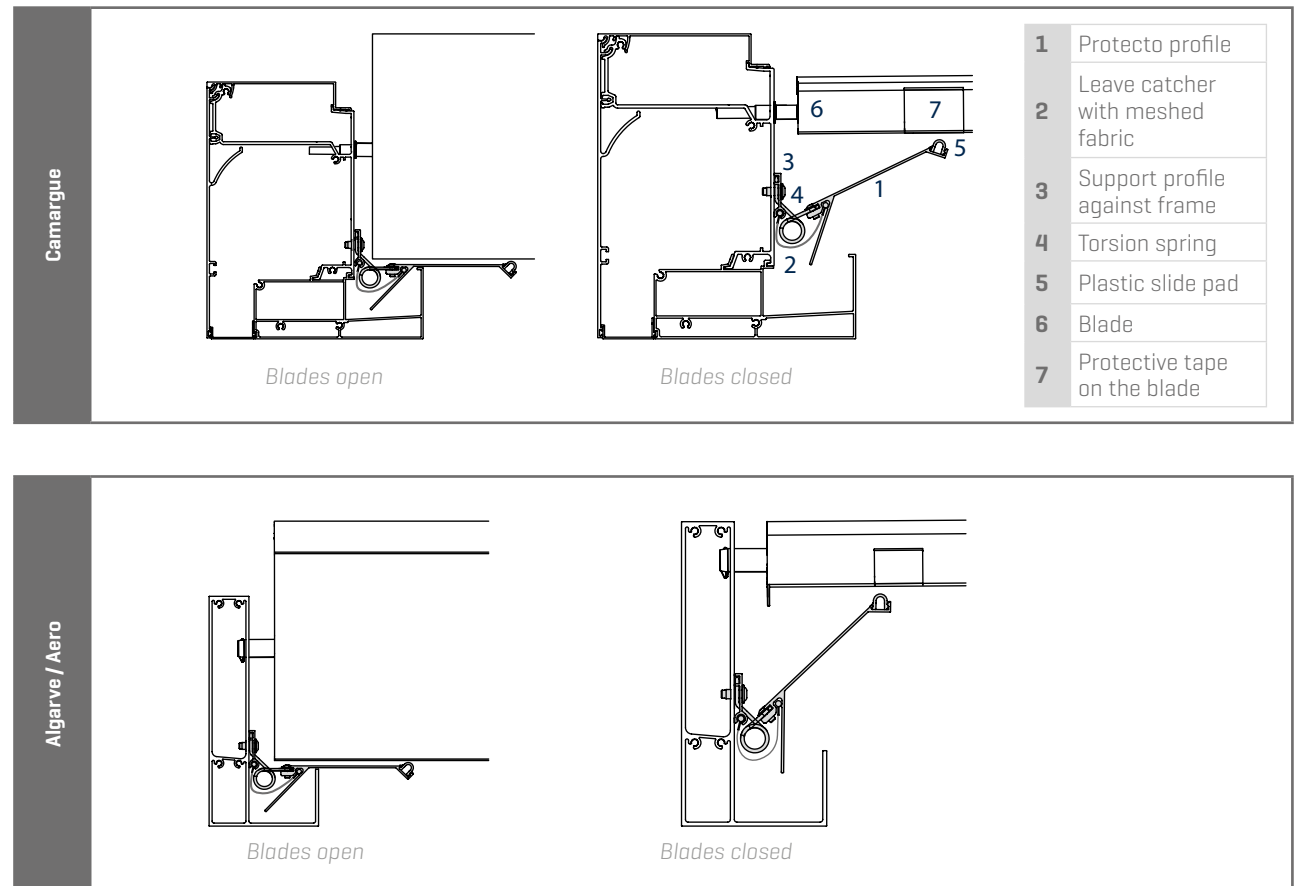
BENEFITS

- Maintains continuous contact with the blades thanks to a torsion spring
- Durable, silent and smooth movement
- Leave catcher with meshed fabric
- Powder coated in the same colour as the frame and columns
- Back orders possible for covers that have already been installed

TECHNICAL DETAILS

Features	
Max. pivot	7060 mm Camargue - 7000 mm Algarve/Aero
Quantity	1 side or both pivot sides
Operating methods	
As per bladed roof operating method	

Standard configuration





Terms and Conditions

- Cannot be combined with Beam Heat & Sound on the pivot side
- When reordered in combination with Beam Heat & Sound on span side, the Beam angle is adjustable between 33° and 55° [instead of 20° and 55°].

CERTIFICATES & TESTING

- Declaration of endurance cycles

OTHER TOOLS

Want to find out more? Visit the Professional Portal on our website (www.renson.eu) to access the following tools.

- Technical drawings
- Training documents
- Installation manual
- User manual
- [Digital photo book & social media](#)
- ...

